

## Window Regulator Motor — Front Door

### Removal and Installation

**NOTE:** The LH or RH front window motor must be de-initialized, then initialized whenever the front window motor is removed from the window regulator, a new window regulator and motor is installed, a new window glass is installed or for any operation in which grease or lubricants are applied to the window regulator or glass run.

1. Remove the door window glass. For additional information, refer to [Window Glass — Front Door](#) in this section.
2. Disconnect the door window motor electrical connector.
3. Remove the 3 door window motor nuts.
  - To install, tighten to 10 Nm (89 lb-in).
4. **NOTE:** Make certain not to disturb the jackscrew when removing the lower right window regulator nut. This may affect the window adjustment.

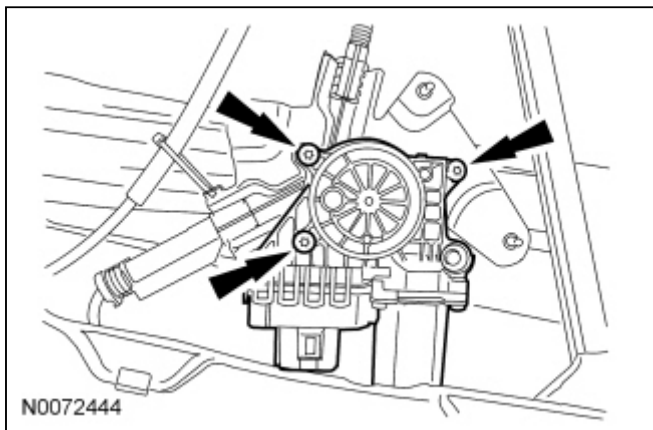
Remove the 4 door window regulator nuts.

- To install, tighten to 10 Nm (89 lb-in).

5. **NOTE:** Is not necessary to remove the regulator and motor assembly from the door remove the window motor.

Position the door window regulator and motor assembly as necessary to access the door window motor screws.

6. Remove the 3 door window motor screws and the door window motor.



7. To install, reverse the removal procedure.
  - Adjust the door window glass as necessary. For additional information, refer to [Window Glass Adjustment — Front Door](#) in this section.
  - Initialize the window motor. For additional information, refer to [Window Motor Initialization](#) in this section.

